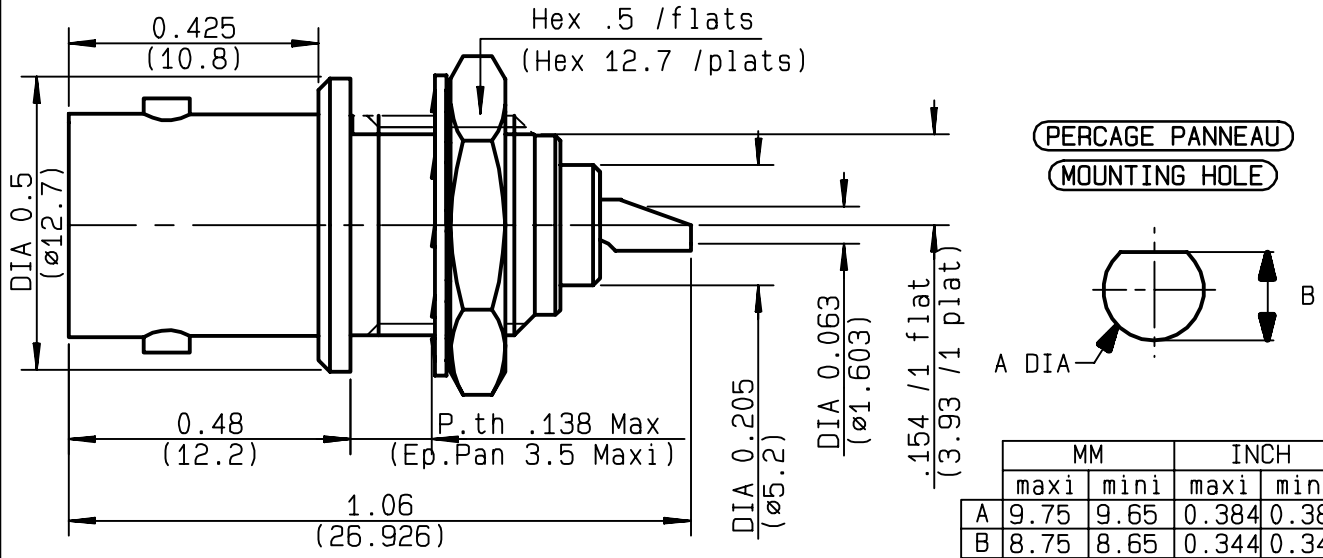


**BULKHEAD JACK RECEPTACLE FRONT MOUNTING  
WITH SOLDER POT CONTACT - PACK 50**

**R141.557.030**  
**SERIES BNC**



NOMINAL IMPEDANCE	<b>50</b> Ω
FREQUENCY RANGE	<b>0-4</b> GHz
TEMPERATURE RATING	<b>-65/+165</b> °C
V.S.W.R	<b>1.06*</b> + <b>.006</b> x F(GHz)Maxi
RF INSERTION LOSS	<b>.025*</b> √F(GHz) dB Maxi
VOLTAGE RATING	<b>500</b> Veff Maxi
DIELECTRIC WITHSTANDING VOLTAGE	<b>1500</b> Veff Mini
INSULATION RESISTANCE	<b>5000</b> MΩMini
HERMETIC SEAL	<b>NA</b> Atm.cm <sup>3</sup> /s
LEAKAGE (pressurized only)	<b>NA</b>
MECHANICAL DURABILITY	<b>500</b> Cycles
WEIGHT	<b>8</b> gr
SPECIFICATION	

CABLES :

OTHERS CHARACTERISTICS

**\* Coaxial Transmission Line Only**

CABLE RETENTION	<b>NA</b>	N Mini
CENTER CONTACT RETENTION		
Axial force - mating end	<b>18</b>	N Mini
Axial force - opposite end	<b>18</b>	N Mini
Torque	<b>2.8</b>	cm.N Mini
RECOMMENDED TORQUES		
Mating	<b>NA</b>	cm.N
Panel nut	<b>250</b>	cm.N
Clamp nut	<b>NA</b>	cm.N

CONNECTOR PARTS:	MATERIALS	FINISH	(all values are given in micrometers)
BODY	BRASS	NICKEL 2	
OUTER CONTACT			
CENTER CONTACT	BERYLLIUM COPPER	GOLD 0.5 OVER NICKEL 2	
INSULATOR	PTFE	-	
GASKET		-	
OTHERS PIECES	BRASS	NICKEL 2	

ISSUE	CREATION DATE	FILE PART-NUMBER
<b>9913A00</b>	<b>08/07/1996</b>	<b>96-0130-496</b>



**RADIALL®**

PERRIN

The information given here is subject to change without notice.  
Design changes may be in order to improve the product .

*Connect to the future*